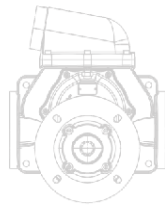
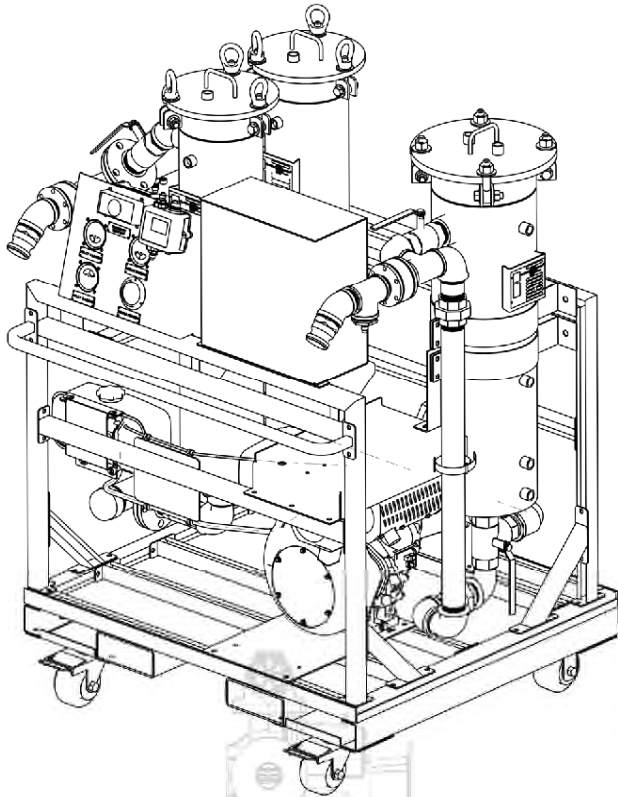


Dieselcraft Model FPS-153 Skid Mount

2.0" Filtration Skid
2 x Bag Filter / 1 x Coalescer Filter



| Model | Gear Ratio |
|--|------------|
| KUBOTA-OC95-E4 (Tier 4, Electric Start) | 3.0:1 |

Diesel Engine Unit

Product Specifications

| PUMP | |
|--|---|
| Inlet Size / Type | 2.0 IN / NPT |
| Outlet Size / Type | 2.0 IN / NPT |
| Pump Housing Material | ALUMINUM |
| Pump Shaft Material | CARBON STEEL |
| Impeller/Vane Material | PROPRIETARY ENGINEERED RESIN |
| Wetted O-Ring and Shaft Lip Seal Material | NITRILE/VITON |
| POWER | |
| TYPE | KUBOTA-OC95-E4 (TIER 4, ELECTRIC START) |
| ENGINE FUEL TYPE | DIESEL |
| Gear Reducer / MAX Pump Shaft Speed (RPM) | 3.0:1 / 1,200 |
| Engine Hp | 9.4 |
| FEATURES | |
| DURABLE POWDER -COATED STEEL CONSTRUCTION WITH FORK LIFT ACCESS IN TWO DIRECTIONS. THE SKID COMES STANDARD WITH INLET HOSE MANAGEMENT RACK AND DRIP CONTAINMENT FOR INLET AND OUTLET ATTACHMENTS. GAUGE PANEL PROVIDES EASILY ACCESSIBLE INDICATORS FOR PRESSURE AND VACUUM READOUT TO ASSESS FILTER LOADING. ENGINE CONTROLS AND EMERGENCY STOP ARE ALSO READILY ACCESSIBLE FROM THE FRONT OF THE UNIT. | |
| OPTIONS | |
| IN-LINE PARTICLE COUNTER | PARTICLE AND %RH (ISO 4406) |
| PORTABLE PARTICLE COUNTER | PARTICLE AND %RH (ISO 4406) |
| FILTRATION HOUSINGS | |
| 2 FLEX BAG FILTER HOUSINGS | 8 INCH - STAINLESS STEEL, FOR P1 OR P2 BAG FILTERS, FLEXIBLE CONFIGURATION TO ACCOMMODATE SMALL FILTER CARTRIDGE AND P2 BAG |
| 1 COALESCER HOUSING | 10 INCH - STAINLESS STEEL, 3 COALESCING ELEMENTS, 3 WATER SEPARATING ELEMENTS |
| ACCESSORIES - SOLD SEPARATELY | |
| SUCTION - HOSE | 10 FT. - 1.5" W/STATIC WIRE (EP) AND CAMLOCK FITTINGS |
| SUCTION - DEBRIS WAND | ALUMINUM - .75 INCH DIA. - 7 FT. |
| SUCTION - DROP PIPE | ALUMINUM - 1.5 INCH DIA. - 7 FT. |
| DISCHARGE - HOSE | 10 FT. - 1.5" W/STATIC WIRE (EP) AND CAMLOCK FITTINGS |
| DISCHARGE - FILL NOZZLE | ALUMINUM - 1.5" MANUAL NOZZLE |
| DISCHARGE - SPRAY JET NOZZLE | STAINLESS, 2" ACCESS, 3/4" INLET, 7 FT. IMPACT DIST. |
| DISCHARGE - SPRAY JET NOZZLE | STAINLESS, 4" ACCESS, 1 1/2" INLET, 28 FT. IMPACT DIST. |

| STD. | OPT. | BYPASS SPRING Max. PRESS. (PSI/BAR) | Pump Speed (RPM) | Flow Rate (GPM/ LPM) | Dry Vac. (Hg) |
|------|------|---|------------------------|-------------------------------|---------------------|
| | | | | | |
| | | 50 / 3.4 | 1,200 | 153 / 580 | 22.8 |

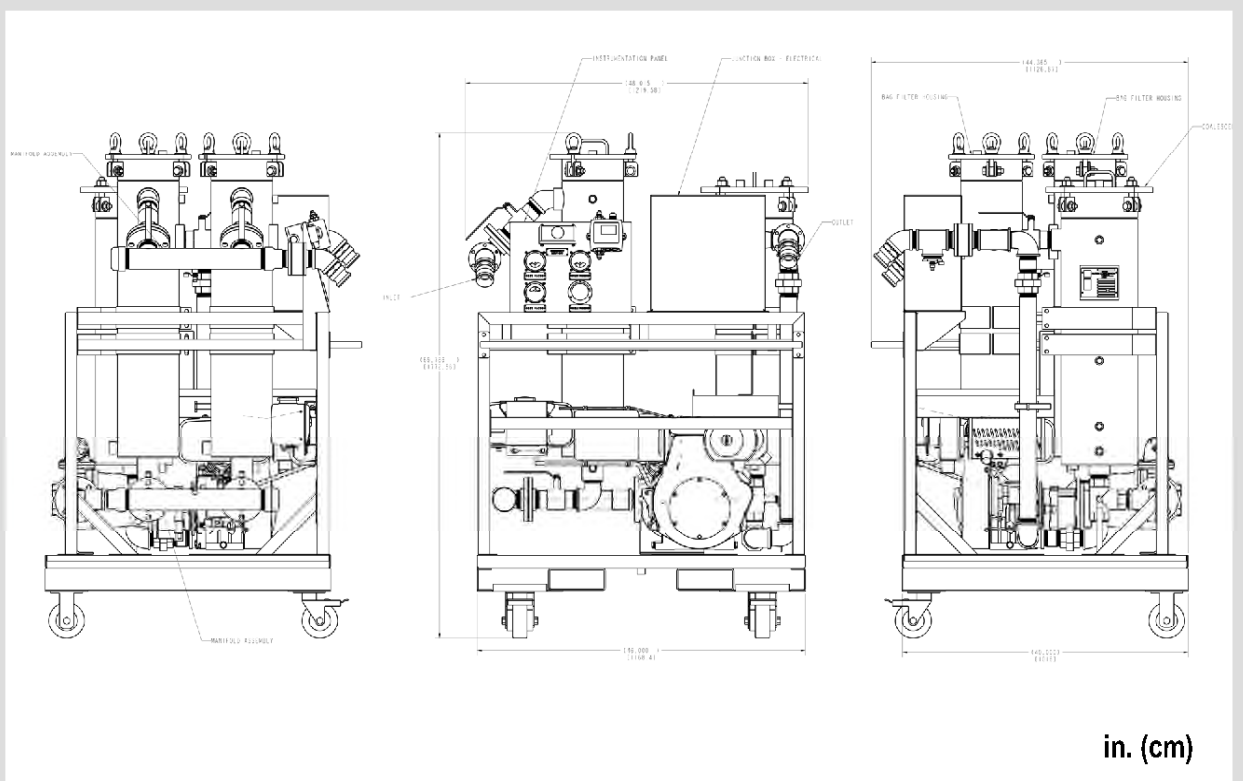
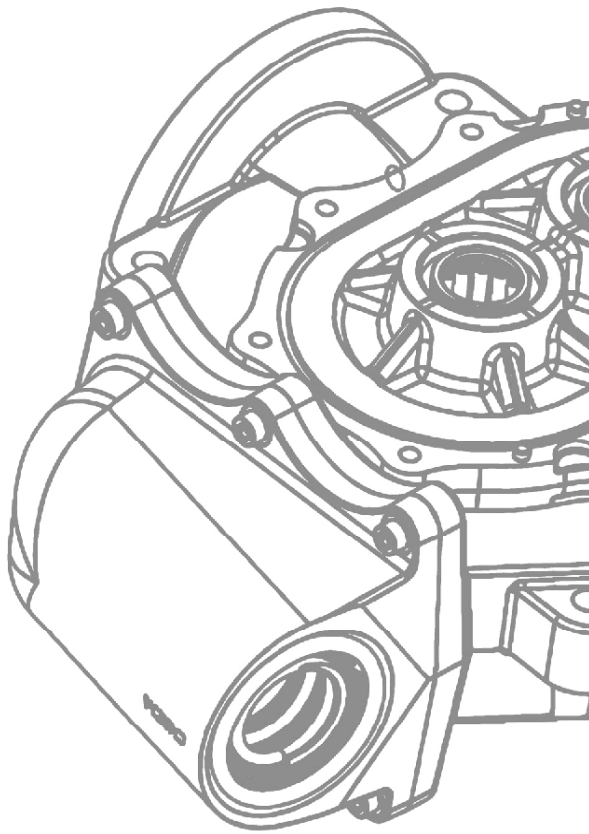
Dieselcraft is marketed by Magnum Group
 PO BOX 4625, Auburn, CA 95604 USA
 Telephone 530-613-2150 Email sales@dieselcraft.com
 www.dieselcraft.com

Dieselcraft Model FPS-153 Skid Mount

2.0" Filter Skid
2 x Bag Filter / 1 x Coalescer

Product Specifications

| | |
|-----------------------------------|-------------------------|
| Product Weight - Dry (lbs/Kg) | 1,200 / 544 |
| Product Weight - Dry (lbs/Kg) | 1,440 / 653 |
| Operating Temperature Range (F/C) | -20 TO 250 / -28 TO 121 |
| Viscosity range (SSU) | 30 TO 7,000 |
| Max. Particle Size (micron) | 50 |
| Max. Duration in By-Pass (min) | 5 |



in. (cm)

Dieselcraft is marketed by Magnum Group
PO BOX 4625, Auburn, CA 95604 USA
Telephone 530-613-2150 Email sales@dieselcraft.com
www.dieselcraft.com