



PO BOX 4625, Auburn, CA 95604 USA Telephone 530 613 2150
 Email sales@dieselcraft.com www.dieselcraft.com

Model 8X51 Fuel Purifier

For Stationary Diesel Pumps, Fuel Docks and Equipment with Engines from 1200 to 2000 Horse Power

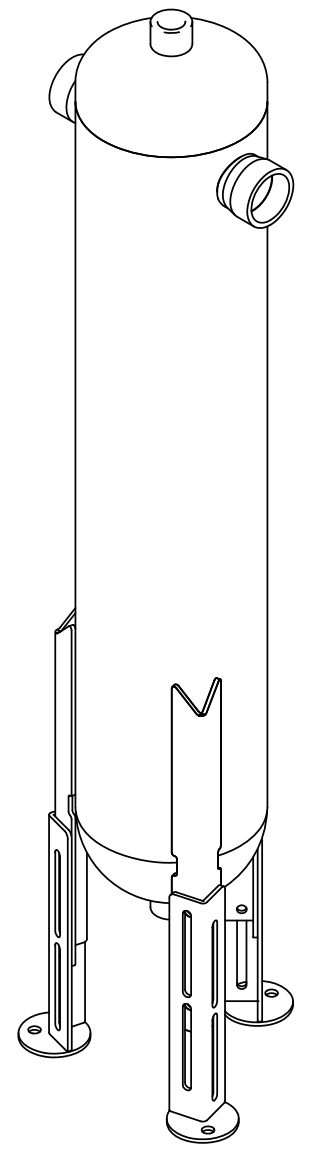
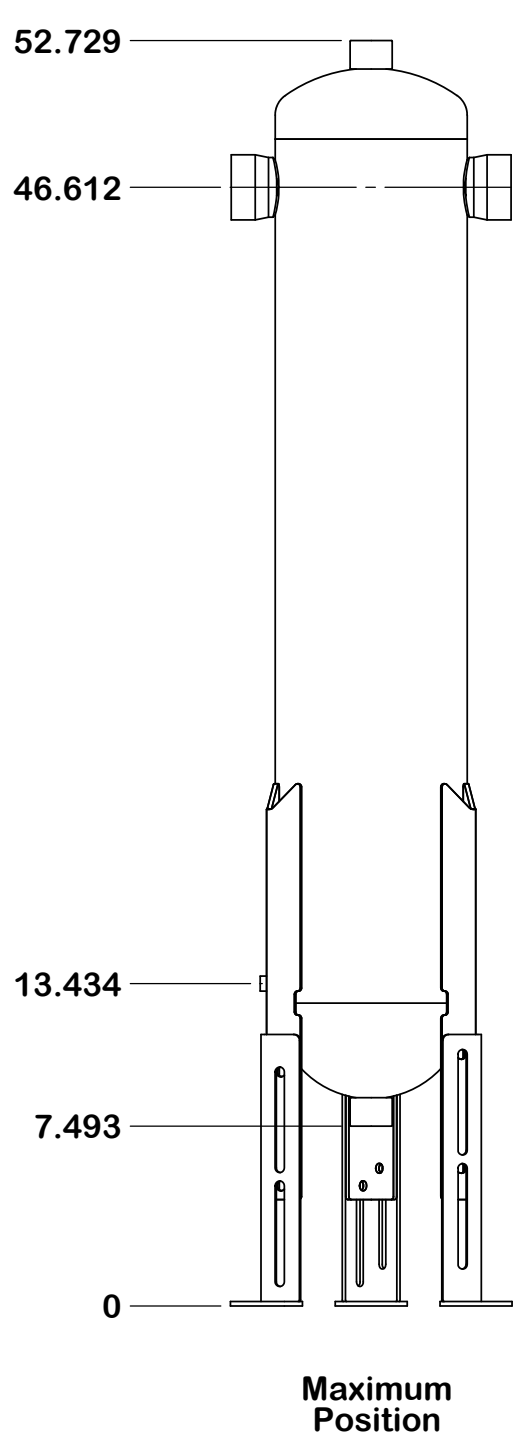
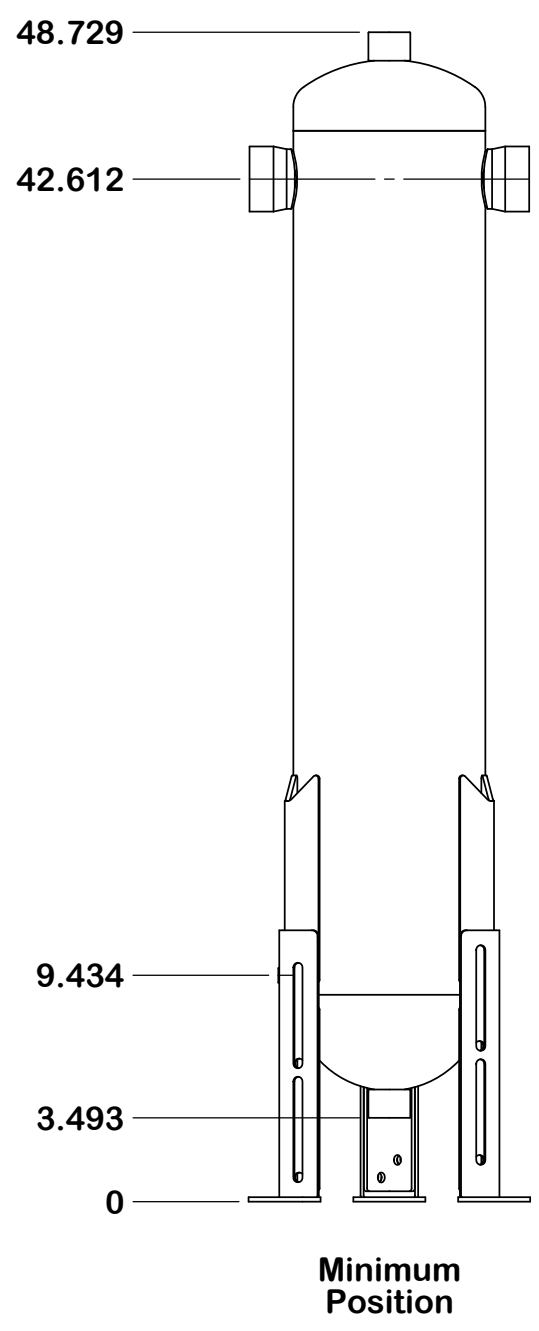
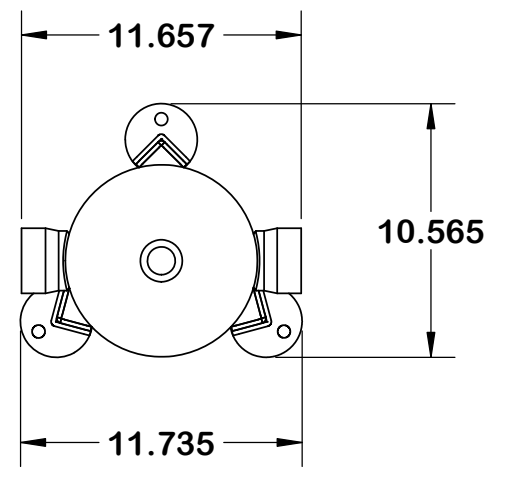
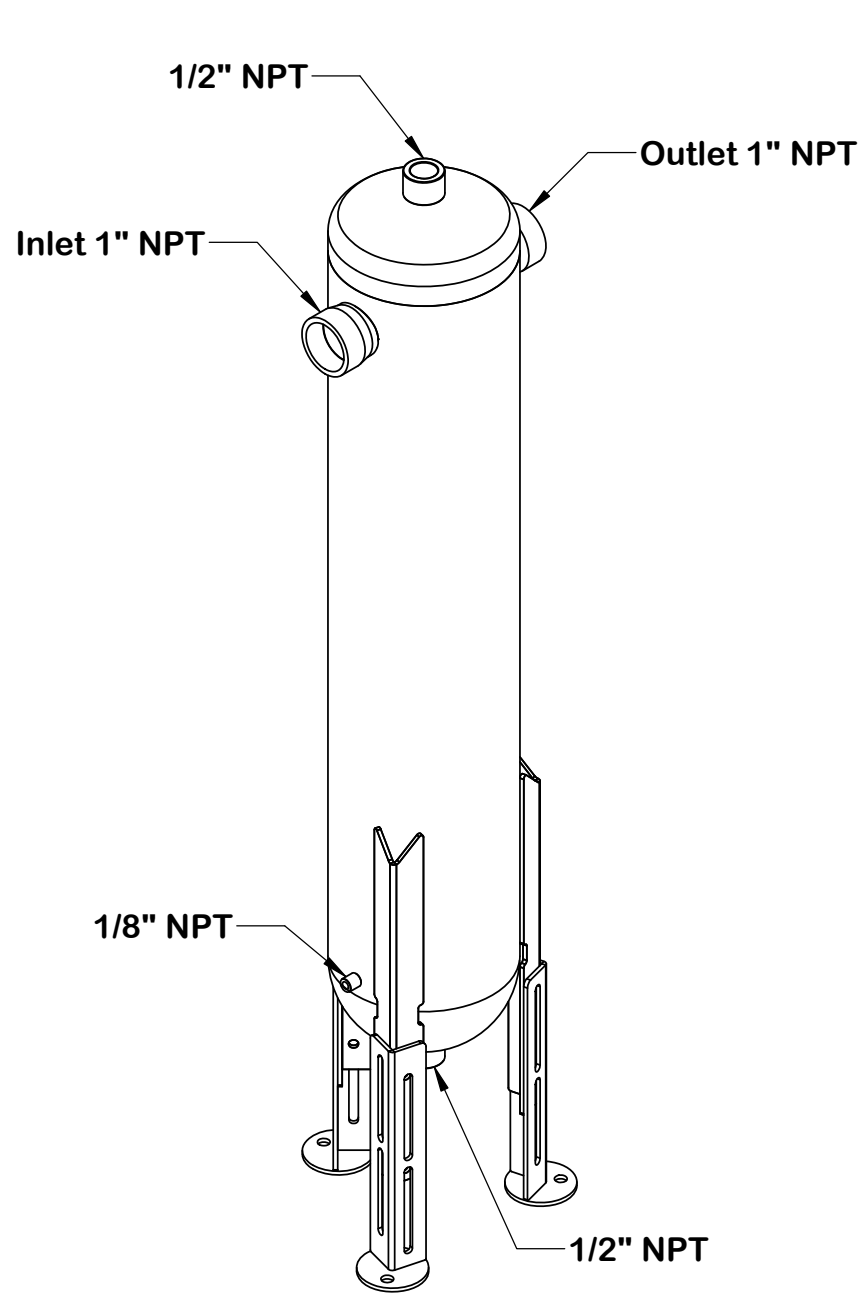
2400 GPH/9000 LPH

The Dieselcraft Fuel Purifier is a simple one step unit that removes 99% of the water and 95 to 98% of heavy particles. Unlike all other products on the market, the Dieselcraft Fuel Purifier performs its function without the use of a replaceable, changeable or cleanable filter element. This is the ONLY unit with a bed of activated alumina to help remove water and contamination. Removing the contamination immediately before the fuel enters the engine's fuel system, the fuel purifier delivers cleaner fuel, greatly reduces filter clogging by reducing bacterial growth and therefore extending maintenance intervals.

Product	Universal Fuel Purifier
Model	8x51
Maximum Flow	40 GPM, 151 LPM
In and Out couplings	2 inch NPT Forged Steel
Top Port	1 inch NPT
Sensor Port	1/8 NPT
Width / Diameter	8 inches, 203 MM
Gross Weight	68 pounds, 31 kilos
Finish	Epoxy Powder Coat Grey * Custom Colors Available
Options	Mounting Strap for Water Sensor Part # MG-49-8 Water Sensor Part #06-5



With adjustable legs.
 Port heights between 42.6"
 to 46.6"



MG-121
Fuel Purifier (8 x 51)
With Adjustable Legs